

## Modular Baghouse Dust Collectors

Now with

**DURA-LIFE™**  
Twice The Life Filter Bags

Award-Winning  
Filter Media



# Modular Baghouse

## Compact, Modular Design

The enhanced Donaldson® Torit® Modular Baghouse (MB) delivers reliable, efficient, continuous-duty, pulse-jet operation. The MB advantage is found in the breakthrough technology of Dura-Life™ filter bags. Dura-Life bags offer longer bag life and reduced emissions. When it does come time to replace the filter bags, Quick-Release Filter Bag Cages have been added to the collector to make replacing filter bags easier. The MB provides reliable service with easy maintenance. Computer designed inlets and deflector plates, coupled with maximized bag spacing, result in optimal airflow with minimal abrasion. Advanced valves, providing 50% more cleaning air, result in a more efficient operation. Over the life of the collector, no other baghouse can provide this much value.

### MB Offers:

- **New models with high body inlets allow higher air-to-media ratios on lighter dusts**
- **New square models help minimize ducting and accessory costs**
- **Dura-Life Twice the Life Filter Bags**
- **Clean-air side bag access for easier bag service**
- **Welded design increases durability**
- **Integral fan option reduces space requirements**
- **Tool-free installation of filter bags & cages**
- **10-year warranty**

*Efficient &  
Reliable*  
with  
*Dura-Life™*  
*Twice The Life Filter Bags*

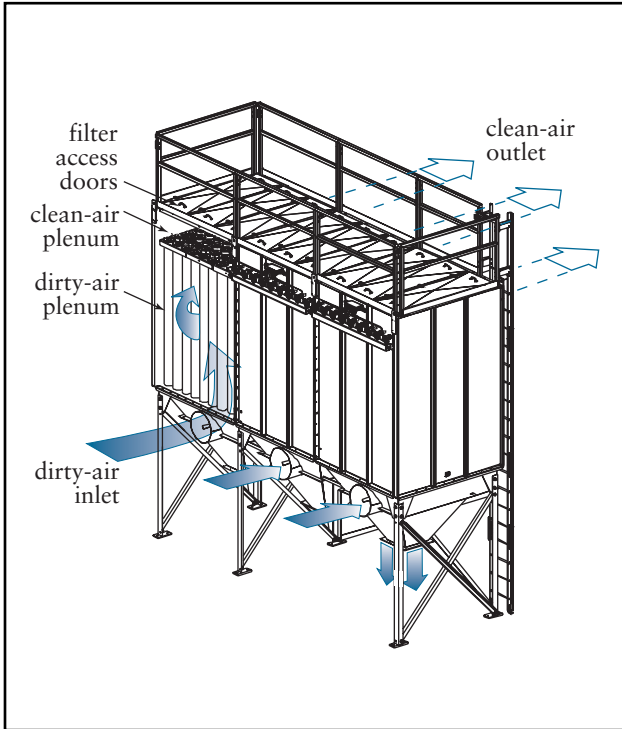


405MBW10

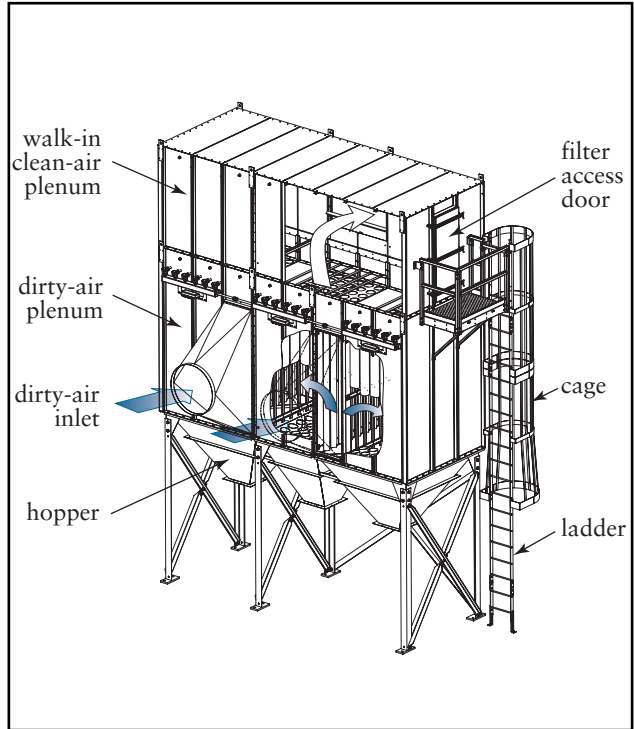
# Modular Baghouse

## Operations & Features

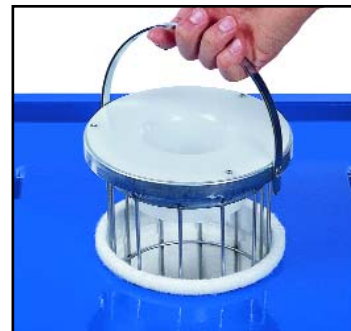
MBT Normal Operation



MBW High Inlet Normal Operation



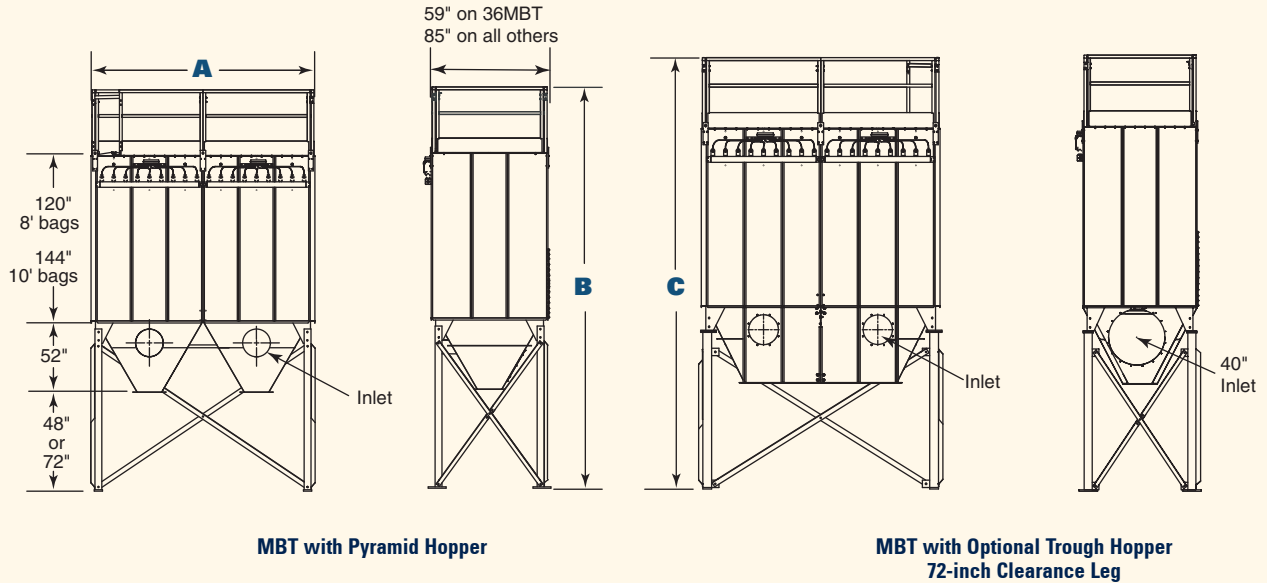
**Easy Maintenance** Quick-Release Filter Bag Cages (patent pending) make filter bag removal extremely easy. When swung into position, the handle serves as a lever to remove the cage from the tubesheet. The Quick-Release Filter Bag Cage requires only 6 pounds of force to remove compared to other cages that require 50 pounds.



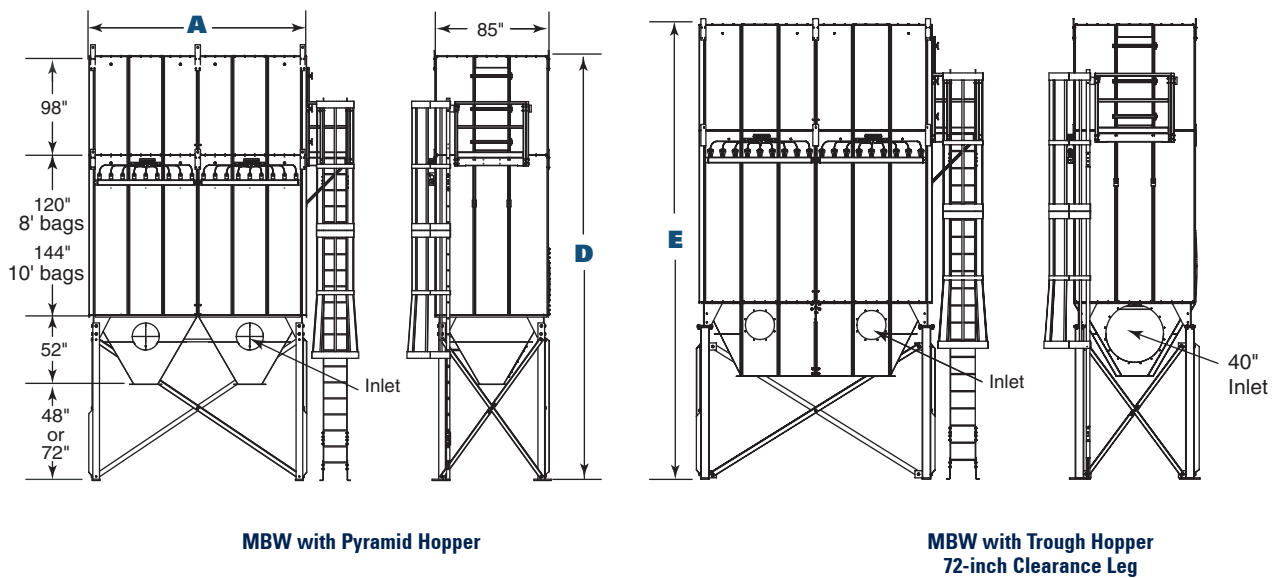
# Modular Baghouse

## Dimensions & Specifications

### MODEL 162MBT8 SHOWN



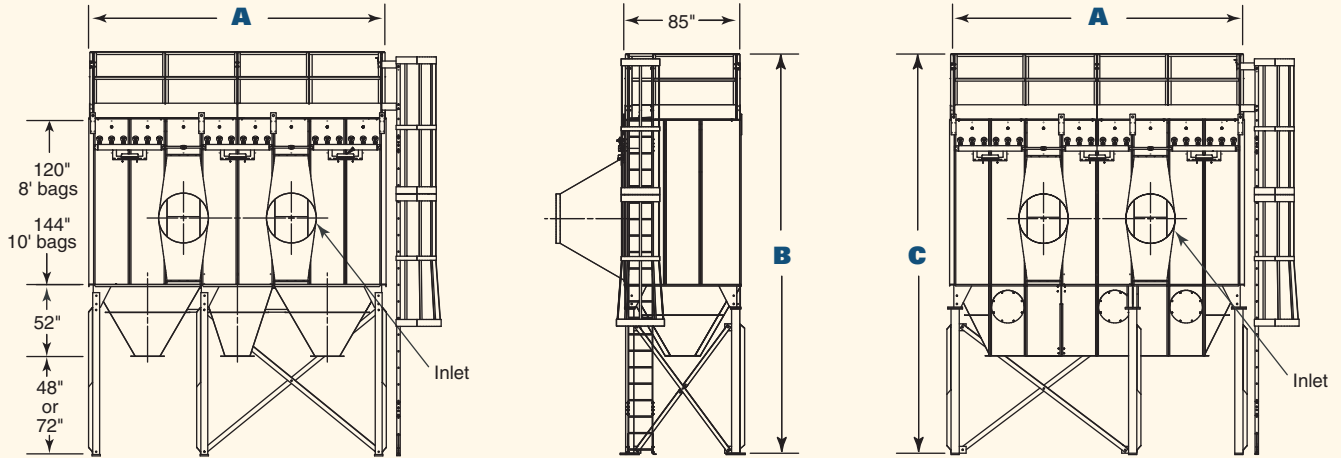
### MODEL 162MBW8 SHOWN



# Modular Baghouse

## Dimensions & Specifications

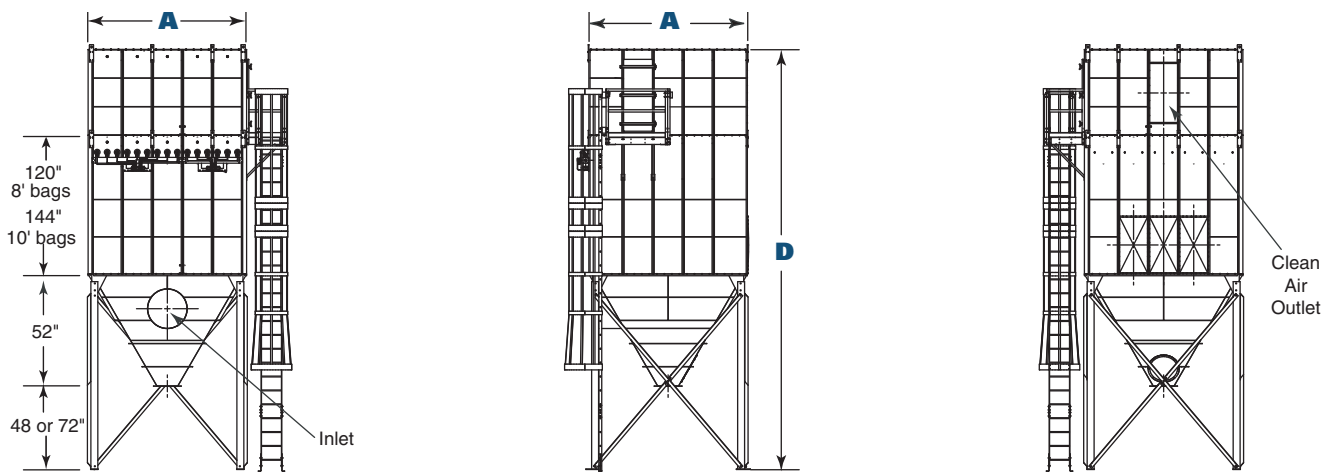
### MODEL 162MBTH8 (Modular Baghouse High Inlet ) SHOWN



MBTH with Pyramid Hopper

MBTH with Trough Hopper

### MODEL 162MBWS8 (Modular Baghouse Square) SHOWN



MBWS with Pyramid Hopper

MBWS with Pyramid Hopper  
Side View

MBWS with Pyramid Hopper  
Rear View

# Modular Baghouse

## Dimensions & Specifications

Model	Dimensions (inches)						
	A	B		C	D		E
		MBT 48-in	MBT 72-in	MBT	MBW 48-in	MBW 72-in	MBW
36 MBT5	57.5	209.7	–	–	–	–	–
36 MBT6	57.5	221.7	–	–	–	–	–
36 MBT8	57.5	245.7	–	–	–	–	–
54 MBT6	57.5	244.2	–	–	–	–	–
54 MBT8	57.5	268.2	–	–	–	–	–
54 MBT10	57.5	292.2	–	–	–	–	–
54 MBT(W)H8	85.0	268.1	292.1	–	294.1	318.1	–
54 MBT(W)H10	85.0	292.1	316.1	–	342.1	366.1	–
81 MBT(W)8	85.0	268.2	292.2	–	294.1	318.1	–
81 MBT(W)10	85.0	292.2	316.2	–	342.1	366.1	–
81 MBT(W)H8	111.0	290.8	314.8	–	316.7	340.7	–
81 MBT(W)H10	111.0	314.8	338.8	–	364.7	388.7	–
108 MBT(W)8	111.0	290.8	314.8	–	316.7	340.7	–
108 MBT(W)10	111.0	314.8	338.8	–	364.7	388.7	–
108 MBT(W)H8	137.0	268.2*	292.2*	–	294.1	318.1	–
108 MBT(W)H10	137.0	292.2*	316.2*	–	342.1	366.1	–
144 MBWS8	111.0	–	–	–	316.6	340.6	–
144 MBWS10	111.0	–	–	–	364.6	388.6	–
162 MBT(W)8	163.0	268.2	292.2	292.3	294.1	318.1	318.4
162 MBT(W)10	163.0	292.2	316.2	316.2	342.1	366.1	366.1
162 MBT(W)H8	215.0	268.3	292.3	292.3	294.1	318.1	318.1
162 MBT(W)H10	215.0	292.3	316.3	316.3	342.1	366.1	366.1
189 MBT(W)H8	241.0	268.2	292.2	292.3	294.1	318.1	318.1
189 MBT(W)H10	241.0	292.2	316.2	316.2	342.1	366.1	366.1
225 MBWS8	137.0	–	–	–	339.1	363.1	–
225 MBWS10	137.0	–	–	–	387.1	411.1	–
243 MBT(W)8	241.0	268.2	292.2	292.2	294.1	318.1	318.1
243 MBT(W)10	241.0	292.2	316.2	316.2	342.1	366.1	366.1
297 MBT(W)H8	371.0	268.3	292.3	292.3	294.1	318.1	318.1
297 MBT(W)H10	371.0	292.3	316.3	316.3	342.1	366.1	366.1
324 MBT(W) 8	319.0	268.2	292.2	292.2	294.1	318.1	318.1
324 MBT(W) 10	319.0	292.2	316.2	316.2	342.1	366.1	366.1
324 MBT(W)H8	395.5	268.1	292.1	292.1	294.1	318.1	318.1
324 MBT(W)H10	395.5	292.1	316.1	316.1	342.1	366.1	366.1
324 MBWS8	163.0	–	–	–	320.6	344.6	–
324 MBWS10	163.0	–	–	–	417.3	441.3	–
405 MBT(W)8	397.0	268.2	292.2	292.2	294.1	318.1	318.1
405 MBT(W)10	397.0	292.2	316.2	316.2	342.1	366.1	366.1

\* Two pyramid hoppers. Single outlet hopper also available.

# Modular Baghouse

## Dimensions & Specifications

Model	Nominal Airflow Range* (cfm)	Cloth Area (ft <sup>2</sup> )	No. of Bags	No. of Valves	Shipping Weight (lbs)	
					MBT	MBW
36 MBT5	1,150-2,880	288	36	6	2500	–
36 MBT6	1,380-3,450	345	36	6	2850	–
36 MBT8	1,840-4,600	460	36	6	3200	–
54 MBT6	2,070-5,180	518	54	6	3800	–
54 MBT8	2,760-6,910	691	54	6	4200	–
54 MBT10	3,460-8,660	866	54	6	5000	–
54 MBT(W)H8	2,760-8,290	691	54	6	5890	6870
54 MBT(W)H10	3,460-10,390	866	54	6	6565	7710
81 MBT(W)8	4,150-10,390	1039	81	9	3900	6100
81 MBT(W)10	5,190-12,990	1299	81	9	5509	7222
81 MBT(W)H8	4,150-12,460	1039	81	9	7085	8145
81 MBT(W)H10	5,190-15,580	1299	81	9	7690	9172
108 MBT(W)8	5,530-13,830	1383	108	12	6800	7800
108 MBT(W)10	6,920-17,300	1730	108	12	7700	9000
108 MBT(W)H8	5,530-16,590	1383	108	12	8480**	9555**
108 MBT(W)H10	6,920-20,760	1730	108	12	9320**	10,580**
144 MBWS8	7,380-18,450	1845	144	12	–	10,088
144 MBWS10	9,220-23,070	2307	144	12	–	10,559
162 MBT(W)8	8,310-20,780	2078	162	18	6600	9500
162 MBT(W)10	10,390-25,980	2598	162	18	9131	11,087
162 MBT(W)H8	8,310-24,930	2078	162	18	12,538	13,672
162 MBT(W)H10	10,390-31,170	2598	162	18	13,725	15,302
189 MBT(W)H8	9,690-29,070	2423	189	21	13,532	14,565
189 MBT(W)H10	12,110-36,340	3029	189	21	14,910	16,508
225 MBWS8	11,530-28,840	2884	225	15	–	14,460
225 MBWS10	14,420-36,060	3606	225	15	–	15,481
243 MBT(W)8	12,460-31,170	3117	243	27	8400	12,800
243 MBT(W)10	15,580-38,970	3897	243	27	12,605	14,687
297 MBT(W)H8	15,230-45,960	3808	297	33	20,173	21,390
297 MBT(W)H10	19,040-57,120	4760	297	33	21,924	24,172
324 MBT(W) 8	16,620-41,560	4156	324	36	11,600	16,800
324 MBT(W) 10	20,780-51,960	5196	324	36	16,034	19,467
324 MBT(W)H8	16,620-49,870	4156	324	36	21,570	21,755
324 MBT(W)H10	20,780-62,352	5196	324	36	23,215	25,495
324 MBWS8	16,620-41,560	4156	324	36	–	20,076
324 MBWS10	20,780-51,960	5196	324	36	–	20,154
405 MBT(W)8	20,780-51,950	5195	405	45	14,500	20,800
405 MBT(W)10	25,980-64,950	6495	405	45	19,201	23,985

\* Based on clean filters.

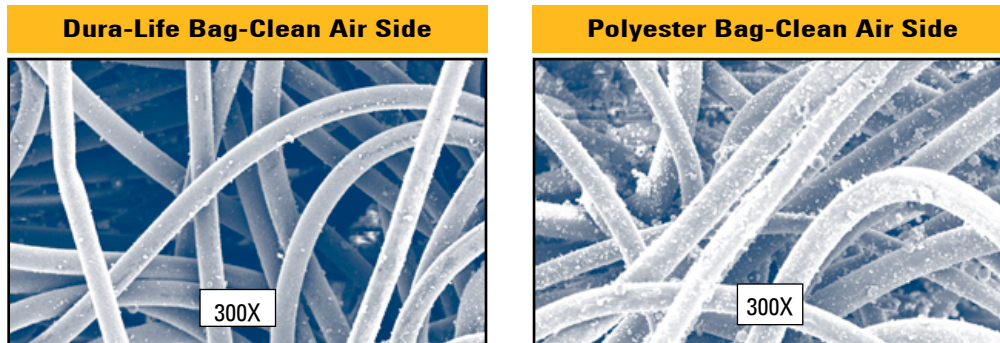
\*\* Two pyramid hoppers. Single outlet hopper also available.

# Modular Baghouse

## Dura-Life™ Filter Bag Technology

*Standard in All Donaldson Torit  
Modular Baghouse Collectors*

**Dura-Life — A breakthrough for bag users.** Polyester bags are woven with a needling process that creates larger pores where dust can embed into the fabric, inhibiting cleaning and reducing bag life. Dura-Life\* bags are engineered with a unique hydroentanglement process that uses water to blend the fibers. This process provides a more uniform material with smaller pores, better surface loading, and better cleaning. These advantages provide twice the operating life before bags need to be replaced due to pressure drop. Longer life from Dura-Life bags lowers maintenance costs and raises baghouse dust collection to a whole new level.



*These photos were taken with a scanning electron microscope of bag media used in a collector that was filtering fly ash. The bags were removed after 2,700 hours of use. Air-to-media ratio was 4.5 to 1. Pressure drop was 6 in. on polyester bags and 2 in. on Dura-Life.*

### **Dura-Life bags provide big benefits!**

Dura-Life technology provides better surface loading and better pulse cleaning, resulting in:

- **Two to three times longer bag life**
- **Reduced replacement bag costs due to fewer bag changeouts**
- **Reduced maintenance costs due to fewer bag changeouts**
- **30% fewer emissions based on EPA tests**
- **Reduced energy costs** (when used with damper or variable speed drive motor)



\* Dura-Life bags are made with Durapex™ (patent pending) media manufactured by Polymer Group, Inc.



# Modular Baghouse

## Standard Features & Equipment Options

	Standard	Optional		Standard	Optional
<b>Collector Design</b>			<b>Hopper Discharge</b>		
Clean Air Plenum with Top-Bag Removal	X		Slide Gate Pack		X
Heavy-Duty Ribbed Housing Construction	X		55-Gallon Drum Pack		X
All-Welded, Carbon Steel Design - 12 Gauge Minimum	X		AN Rotary Valves and Transitions		X
Heavy-Duty 10-Gauge Tubesheet	X		<b>Support Structure</b>		
Filter Cleaning System	X		48" Clearance Leg Pack (pyramid hoppers)	X	
Service Railing with Kickplate per OSHA Specs (MBT)	X		Stub Legs (trough hopper)	X	
Bottom Bag Removal		X	72" Clearance Leg Pack		X
High Temperature Construction		X	48" Clearance Ladder Pack		X
Stainless Steel Construction		X	72" Clearance Ladder Pack (with cages)		X
Direct Drive Fans		X	<b>Electrical Controls, Gauges and Enclosures</b>		
Power Pack Transition for TBI Fans		X	Solenoid Valves in NEMA 4 Enclosure	X	
Chamber and Exhaust Silencers		X	Magnehelic®* Gauge	X	
Damper Pack		X	Control Timer in NEMA 4 Enclosure	X	
Service Platform (MBW)		X	Solenoid Enclosure in NEMA 7 or 9		X
<b>Bags &amp; Cages</b>			Photohelic® Gauge		X
Dura-Life Twice the Life Polyester Felt Snap-In Bags	X		Delta P Control Panel		X
Galvanized Quick-Release Bag Cages	X		<b>Safety Features</b>		
Variety of Bag Media Options		X	Sprinkler Access Ports	X	
Articulated Cages		X	Sprinkler Pack Assembly (wet or dry)		X
<b>Hopper Design</b>			Explosion Vents		X
60° Pyramid Hoppers	X		<b>Paint System</b>		
Inlets with Deflector	X		Prime Coated Interior	X	
Trough Hopper with Multiple or Single Inlets	X		Blue Exterior Finish Coating Meets 250-Hour Salt Spray Corrosion Protection Test	X	
Hopper Access Covers	X		Hostile Environment Paint		X
Inlet Transitions		X	Custom Colors		X
Pyramid Hopper Cover with Flood Valve		X	<b>Warranty</b>		
			10-Year Warranty	X	

\* Magnehelic and Photohelic are registered trademarks of Dwyer Instruments, Inc.

Information contained in this document is subject to change without notice.

**Donaldson® Torit®** Look to Donaldson Torit for all of your air filtration needs. Although you may not always see our products, you can breathe easier knowing we're there.

**Customer Support** For nearly 90 years, Donaldson Torit has been the leading innovator of air filtration solutions that make manufacturing plants a cleaner environment for employees the world over. Driven by an unwavering commitment to customer support, Donaldson Torit is the name more manufacturers around the globe trust to deliver the most efficient and productive dust, mist and fume collectors and filter media.

**Unparalleled Innovation** Whether our customers need a single collector or a multi-faceted collection system, Donaldson Torit has the solution. The expanse of Donaldson Torit's innovative product line is unmatched, offering unparalleled filtration systems, ancillary parts and replacement filters. From central, source and ambient systems to baghouse, envelope and cartridge technologies, Donaldson Torit has the expertise to provide filtration solutions for virtually any application.

**Global Reach** Donaldson Torit manufactures and markets its filtration products throughout the world. As more manufacturers continue to expand and grow their operations globally, Donaldson Torit will be there to serve and support our customers' needs.

**Built for Performance** Genuine Donaldson Torit replacement filters and parts can significantly improve the performance of your collectors. With hundreds of varieties to choose from and all in-stock orders shipped within 48 hours, Donaldson Torit is your best, most reliable source for premium performance replacement parts. Visit us at [www.donaldsondynamic.com](http://www.donaldsondynamic.com).

**Rely on the Industry Leader** When it comes to air filtration, you need a partner you can trust. Rely on the world leader in air filtration—Donaldson Torit.



**Donaldson**

*Filtration Solutions*

Donaldson Company, Inc.  
Industrial Air Filtration  
P.O. Box 1299  
Minneapolis, MN  
55440-1299 U.S.A.

Tel 800.365.1331 (USA)  
Tel 800.343.3639 (within Mexico)  
[dustmktg@mail.donaldson.com](mailto:dustmktg@mail.donaldson.com)  
[www.donaldsontorit.com](http://www.donaldsontorit.com)

