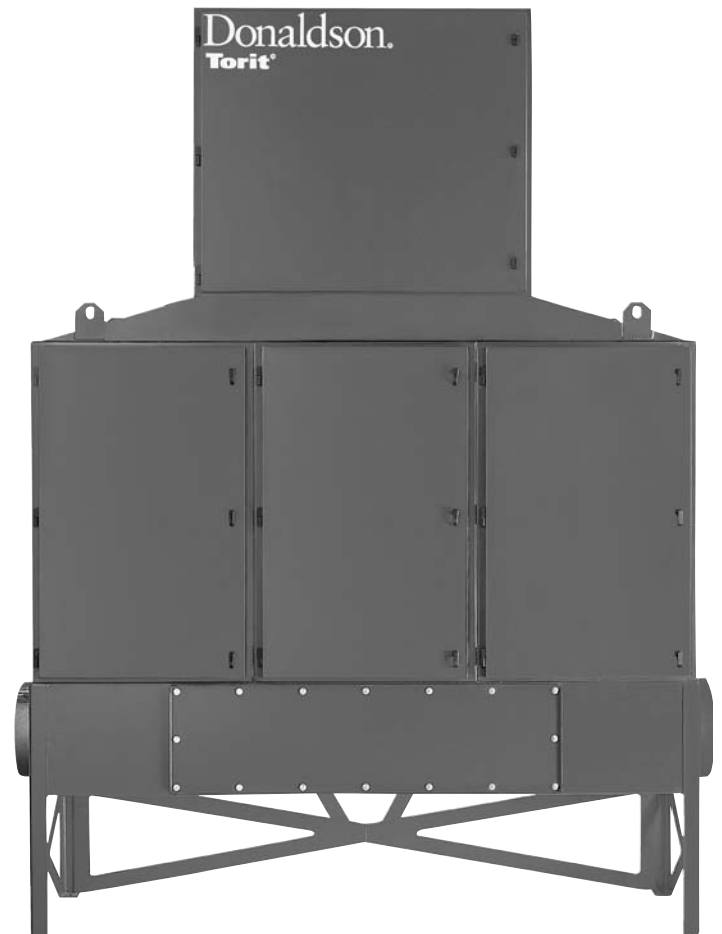


Modular MediaFilter™ Vertical Series

Models MDV-1, -2, -3

Designed to collect, filter, and reclaim mist generated from machines using oil-base, synthetic, semi-synthetic, or water-soluble coolants.

- Three-stage filtration for high filtration efficiency and optimum filter life.
- Versatile design handles coolant mist, wetted dust and swarf, liquids and smoke in applications up to 6000 cfm.
- High efficiency airfoil fan maximizes performance and reduces operating costs.
- Vertical orientation enhances filter drainage and improves vee-bag filter life.
- Hinged access doors makes filter changeout simple and easy.
- Variety of design layouts and filter choices for both flexibility and expandability.
- Standard Magnehelic®* gauge indicates when filter maintenance is required.
- Recirculation of clean air reduces the need for costly make-up air.
- Powder coated finish is durable and chemical resistant.
- 10-year warranty



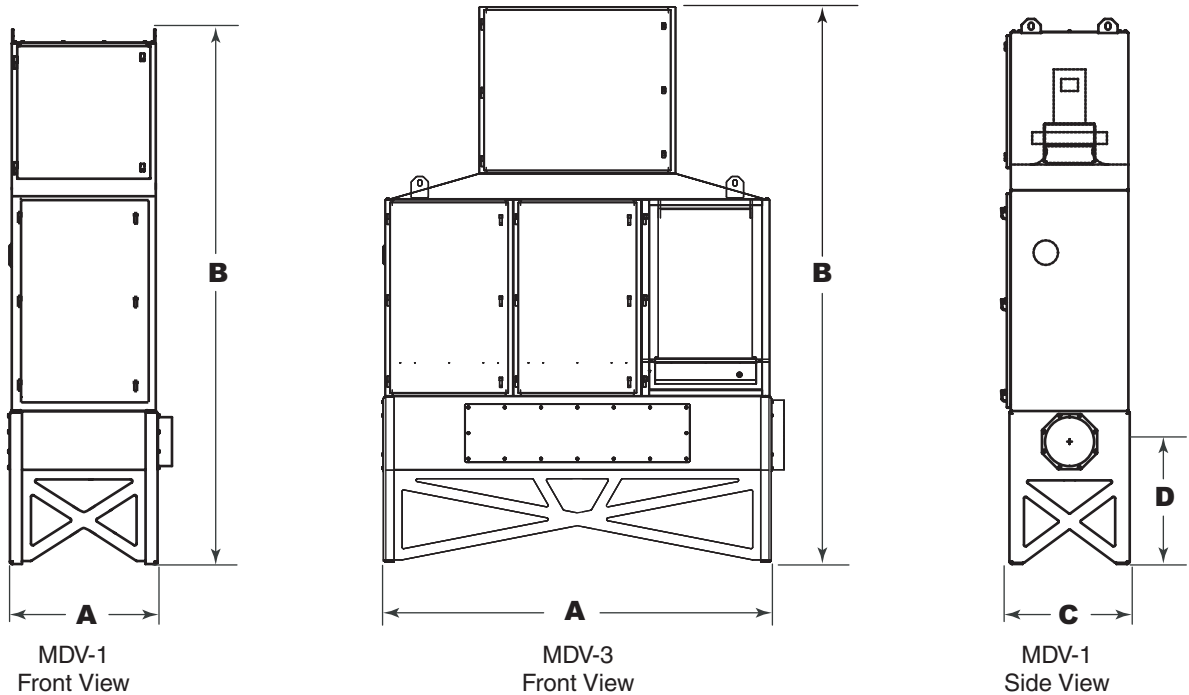
MDV-3

Modular mist collector designed for manufacturers generating coolant, oil, and liquid mist from a wide variety of applications.

- | | |
|---------------|------------------|
| ■ Grinding | ■ Metalworking |
| ■ Laser fumes | ■ Pharmaceutical |
| ■ Machining | ■ Soldering |

Modular MediaFilter™ Vertical Series

Dimensions & Specifications



Model	Nominal Airflow** (cfm)	Filter Area Primary Filter (ft ²)	Motor (hp)	Inlet Collar (in)	Dimensions (inches)				Shipping Weight (lbs)
					A	B	C	D	
MDV-1	1000 2000	126	1.5 3	10	30.8	113.6	25.1	25.5	790
MDV-2	2000 4000	252	3 7.5	14	60.8	127.9	25.1	28.8	1325
MDV-3	3000 6000	378	5 10	16	90.8	129.9	25.1	29.8	1800

Equipment Options

- Prefilters
 - Impinger
 - 4" Multi-Vee
 - First-stage high efficiency filter 24" x 24" x 4"
- 2" P-Trap with optional Y-Strainer assembly
- HEPA or 95% D.O.P. filter module, 24" x 24" x 11.5" with Minihelic®* gauge
- Sprinkler head

* Magnehelic and Minihelic are registered trademarks of Dwyer Instruments, Inc.

** Based on clean filters @ 3-4 "wg ESP.



Donaldson Company, Inc.
Industrial Air Filtration
P.O. Box 1299
Minneapolis, MN 55440
Tel 800-365-1331(USA)
Tel 800-343-3639 (within Mexico)
dustmktg@mail.donaldson.com
www.donaldson.com

Significantly improve the performance of your collector with genuine Donaldson Torit replacement filters and parts.

Visit us at www.donaldsondynamic.com

Information in this document is subject to change without notice.

© 2004 Donaldson Co., Inc.
Printed in U.S.A. on recycled paper



Data Sheet Modular MediaFilter Vertical (02/06)