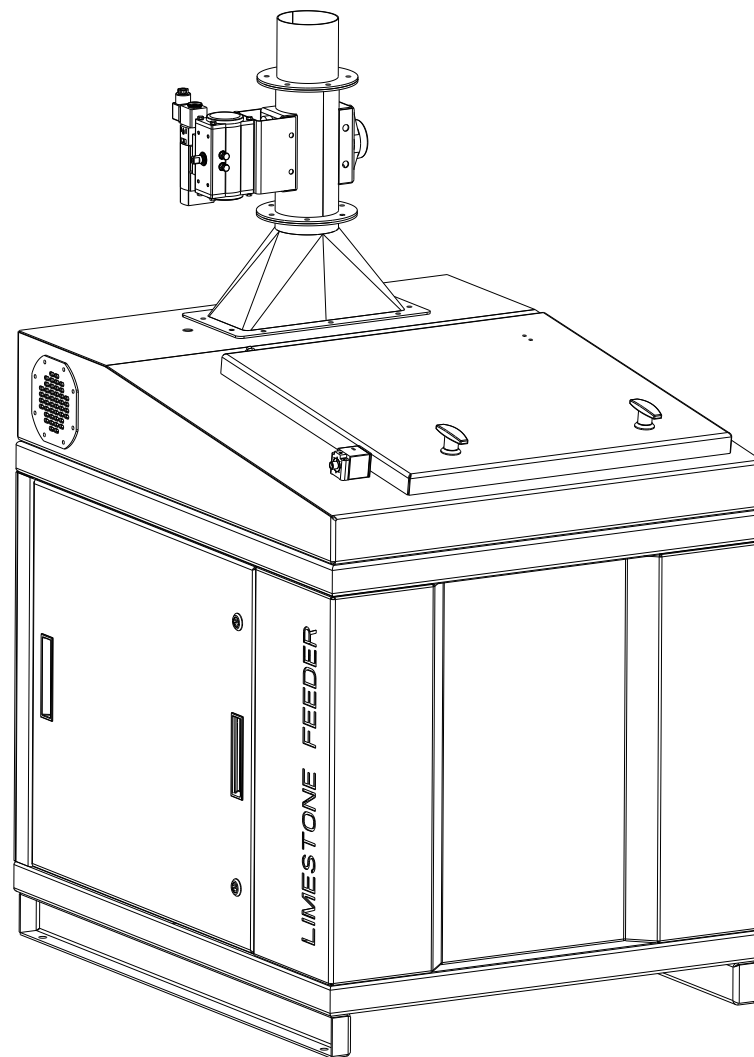
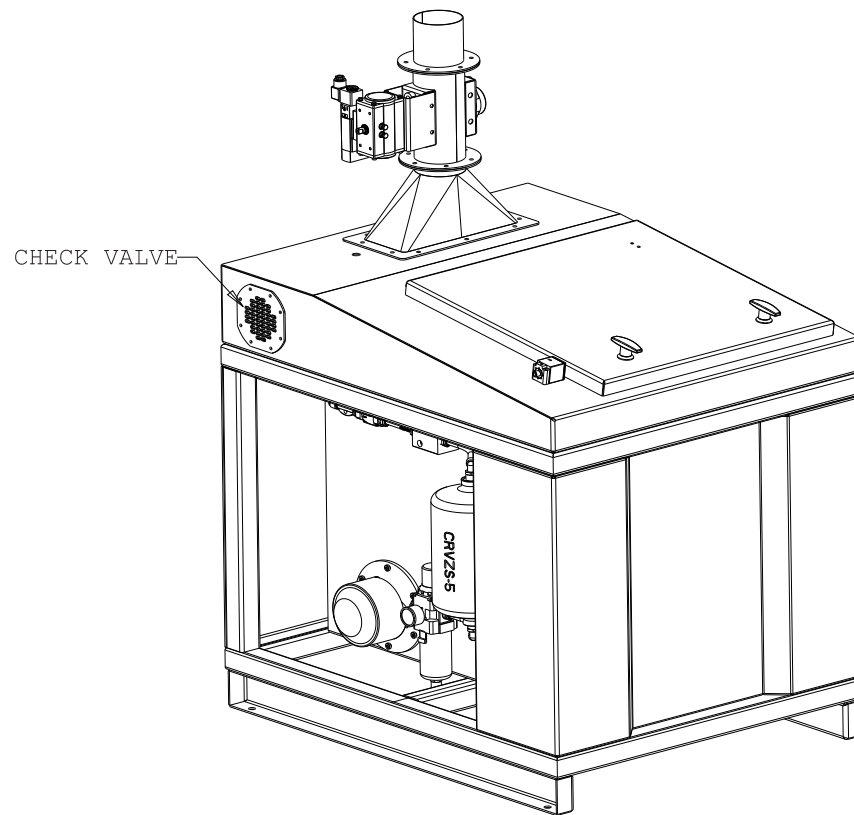
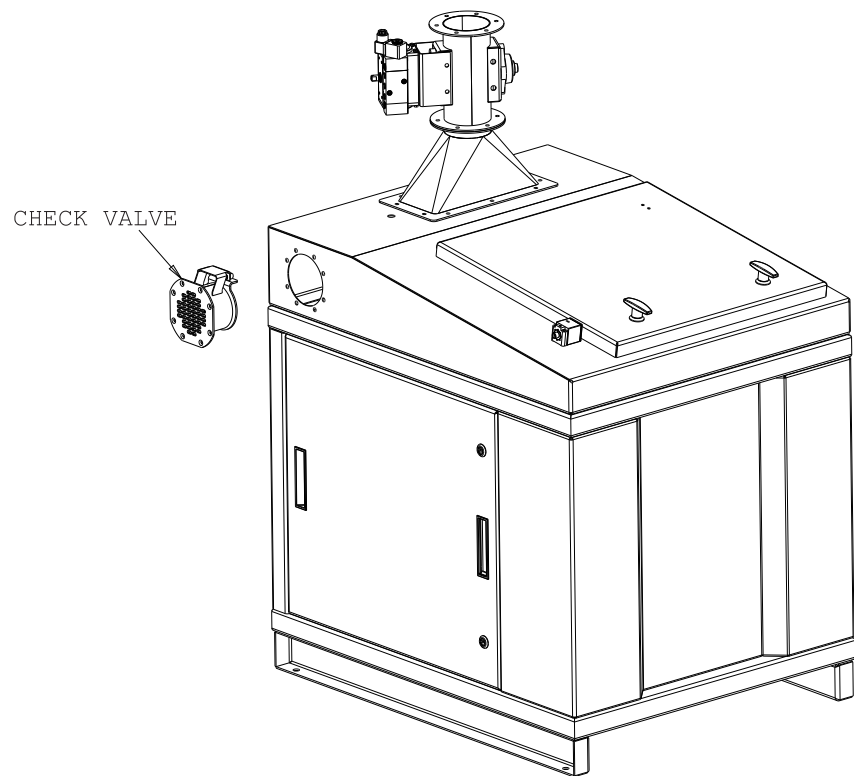


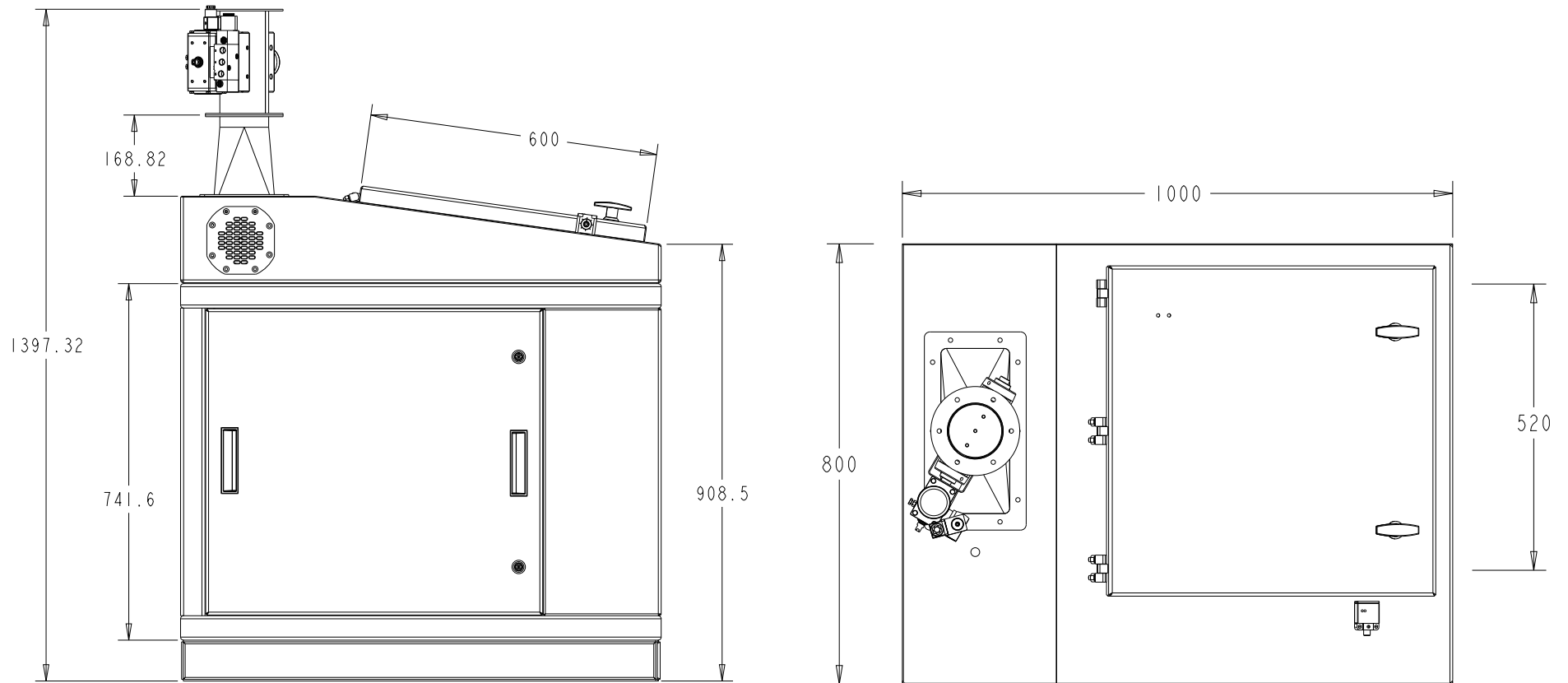
LIMESTONE FEEDER



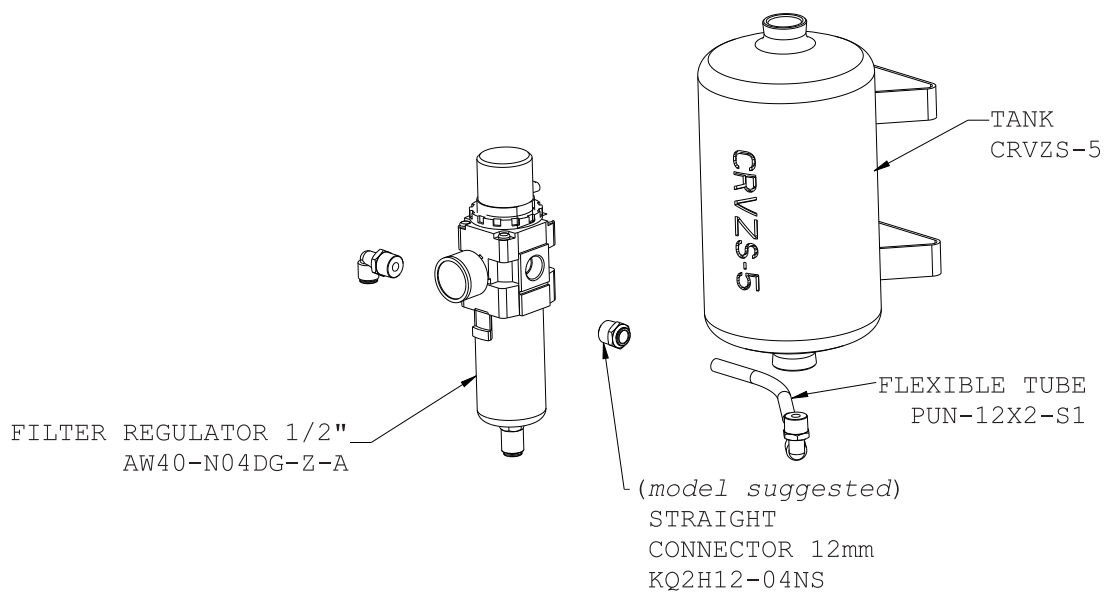
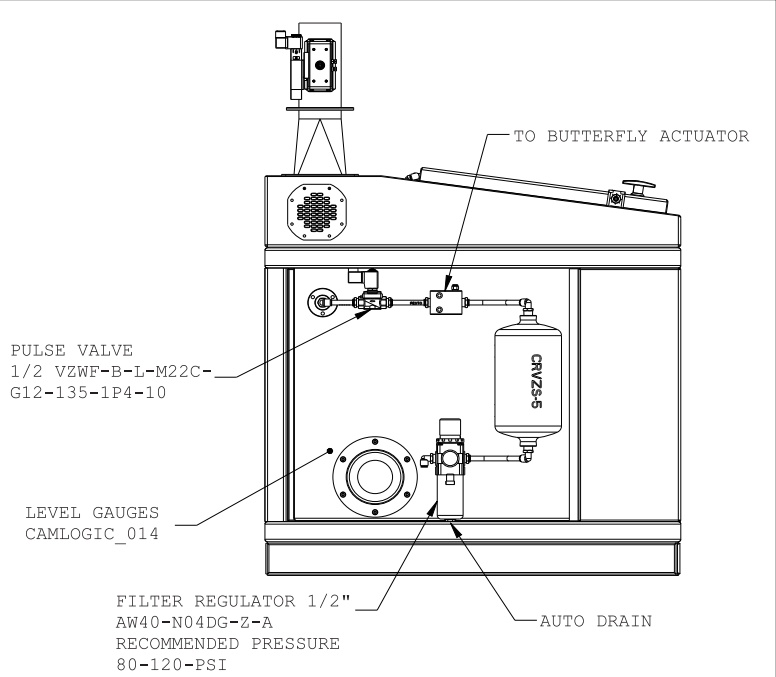
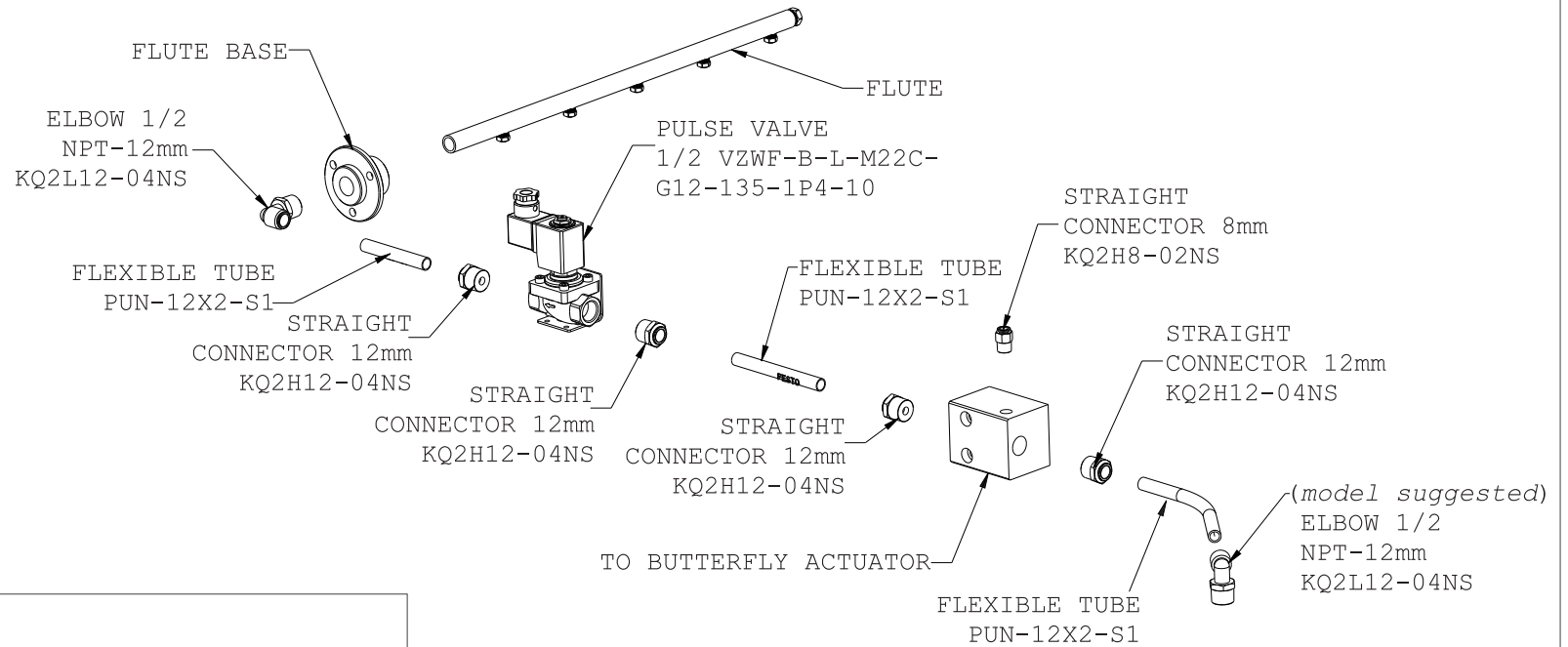
EXPLODED VIEW OF CHECK VALVE



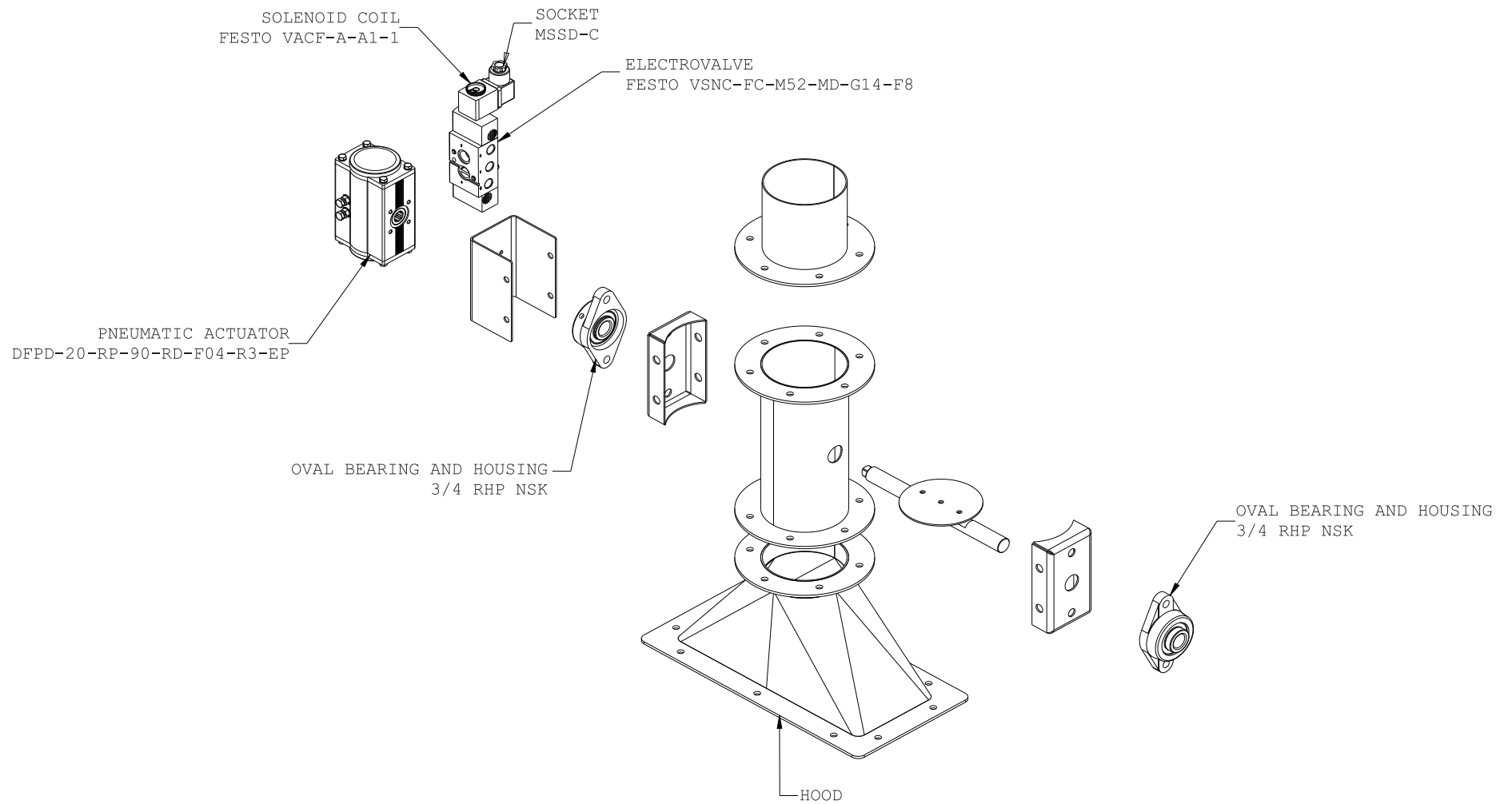
GENERAL DIMENSIONS OF LIMESTONE FEEDER



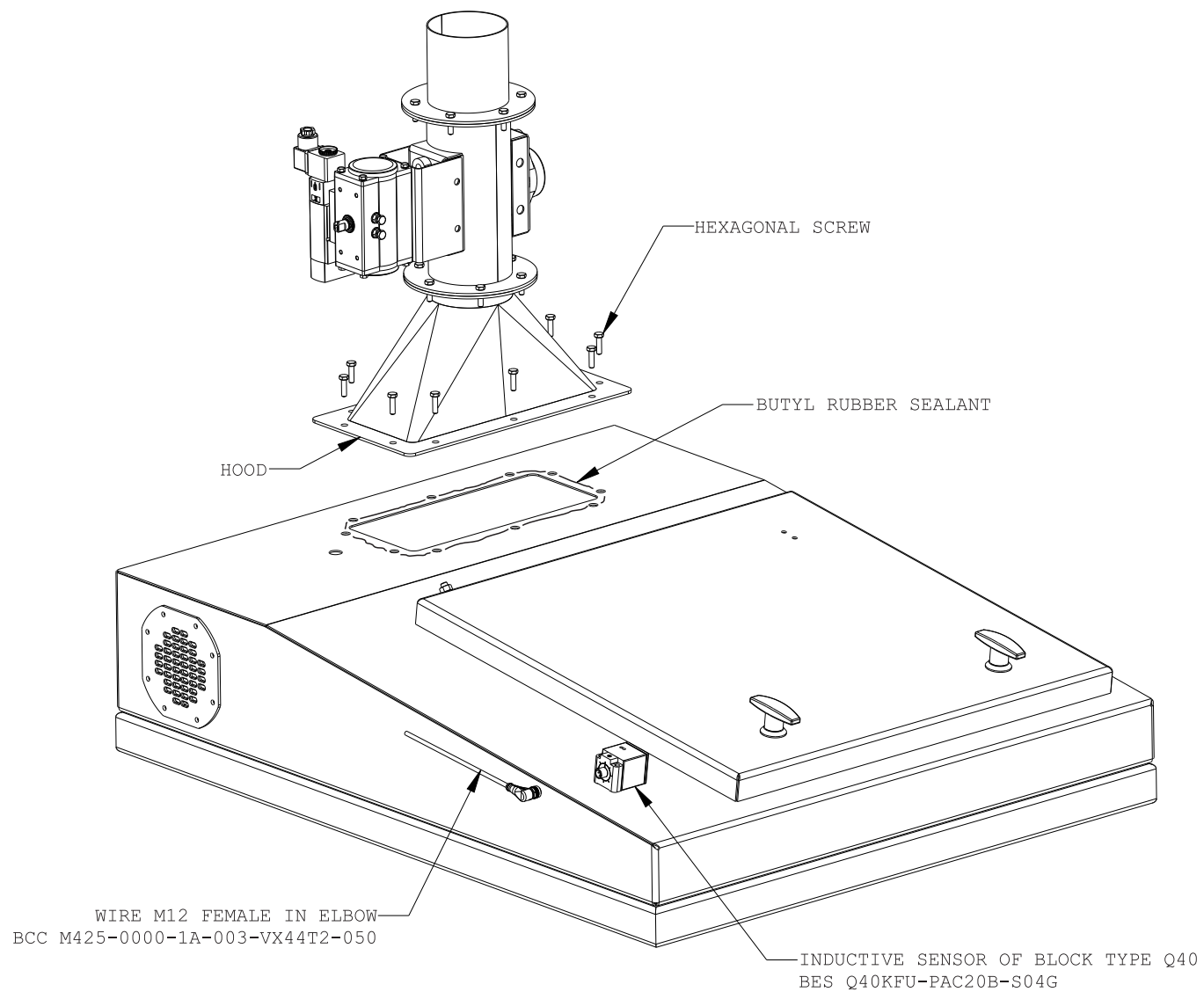
EXPLODED VIEW OF NEUMATIC ELEMENTS



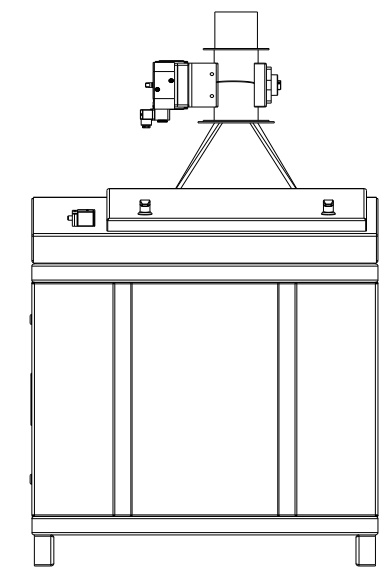
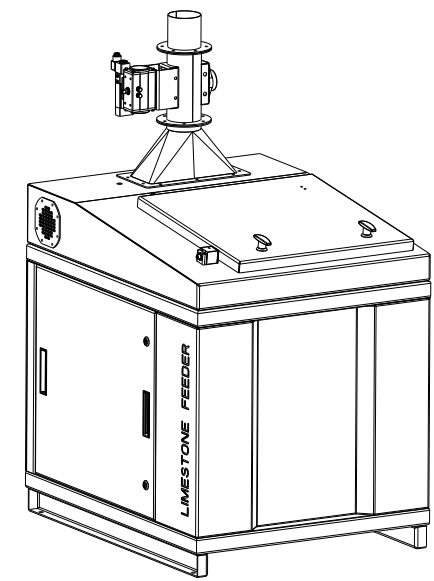
EXPLODED VIEW OF HOOD



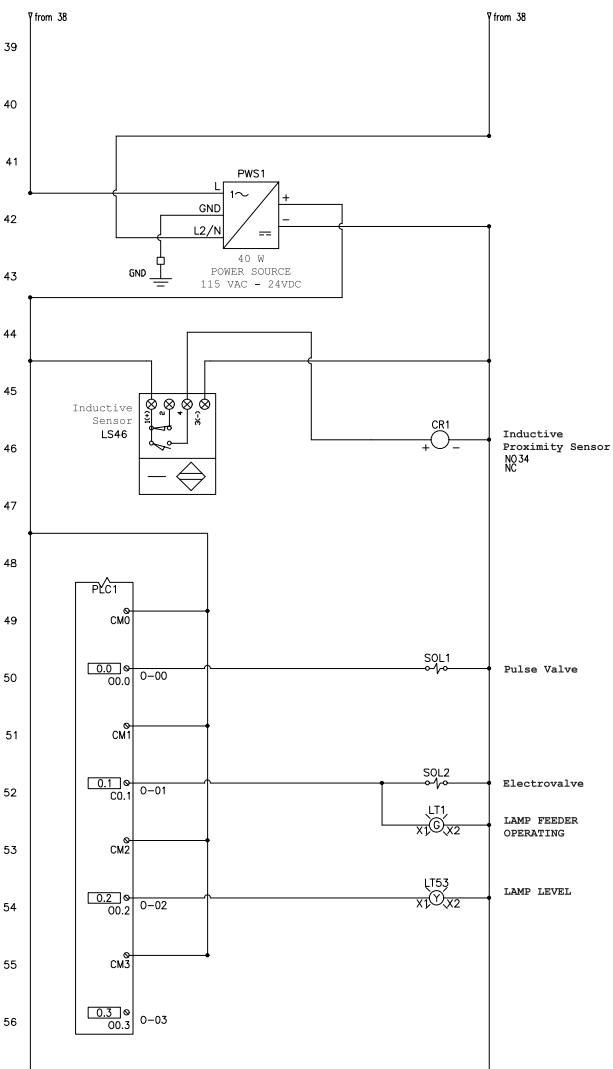
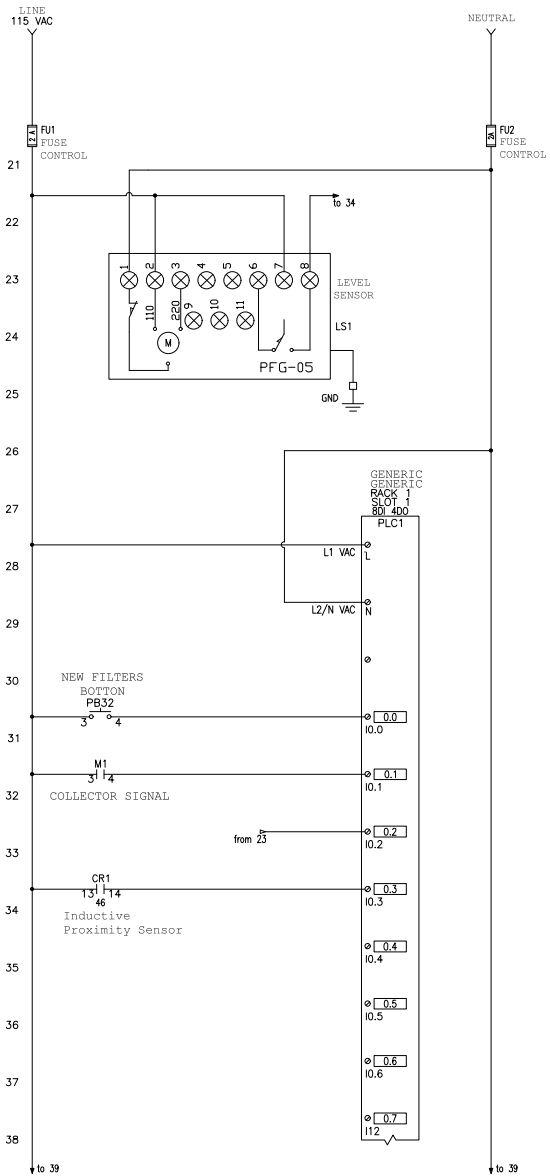
HOOD ENSEMBLE



PART LIST	QUANTITY	UNIT
Oval bearing and housing 3/4 RHP NSK	2	pcs
Pull Handle. EMKA :1091-000109-2	2	pcs
T-Handle EMKA 1000-U00546	2	pcs
Cam with catch EMKA 1000-52	2	pcs
Quarter Turn Housing EMKA 1000-U330	2	pcs
Cam with catch EMKA 1000-27	2	pcs
Screw-on hinge EMKA 1039-U17	3	pcs
Screw-on hinge EMKA 1055-U2	1	pcs
Door Stop EMKA 1087-U2	1	pcs
Level Gauges Camlogic-014	1	pcs
PVC Vanes Camlogic_161	1	pcs
Flange CAMLOGIC_194	1	pcs
Inductive Proximity Sensor BES Q40KFU-PAC20B-S04G	1	pcs
M12 sensor connector BCC M425-0000-1A-003-VX44T2-050	1	pcs
Pneumatic Actuator FESTO DFPD-20-RP-90-RD-F04-R3-EP	1	pcs
Electrovalve FESTO VSNC-FC-M52-MD-G14-F8	1	pcs
Solenoid Coil FESTO VACF-A-A1-1	1	pcs
Socket FESTO MSSD-C	1	pcs
Pulse Valve 1/2 VZWF-B-L-M22C-G12-135-1P4-10	1	pcs
Flexible Tube PLN-8X1,25-NT	5	pcs
Flexible Tube PUN-12X2-SI	5	pcs
Connector QSS-8	2	pcs
Connector QSL-G1/4-8	1	pcs
Filter Regulator AW40-N04DG-Z-A	1	pcs
Bracket AR40P-270AS	1	pcs
Elbow 1/2 npt-12mm KQ2L12-04NS	2	pcs
Connector KQ2H12-04NS	6	pcs
Silencer 1/4 AN20-02	2	pcs
Connector KQ2H8-02NS	1	pcs



CONNECTION DIAGRAM



TAGS	QTY	CATALOG	MFG	DESCRIPTION
SOL2	1	VSNCF-M52-MD-G14-F8	FESTO	Electrovalve
SOL1	1	JEFFERSON	JEFFERSON	Pulse Valve
LS46	1	BES Q40RFU-PAC20B-S04G	BALLUF	Inductive Proximity Sensor
LS1	1	PFG-05	CAMLOGIC	Level Gauges Camlogic-014
CR1	7	GENERIC	GENERIC	
PLC1	1	GENERIC	GENERIC	